



- European inspired style. Group a series of towers for visual impact.
- Attention commanding 18” height and dramatic angled top cap.
- The draft tower is a marketing tool, not just a bar fixture.
- All stainless steel contact with the beer for the ultimate in draft purity.



PVD Brass
SKY-1PVDKR



Stainless Steel
SKY-1PSSKR

Features

Faucet knobs not included.

PVD Tarnish Free
PVD Brass.

S Stainless Steel for hy-
giene and durability.

INSIDE The integrated Kool-Rite module provides
optimum cooling at the point of dispense.
Modular construction makes the installation
process as simple as PLUG “N” POUR.

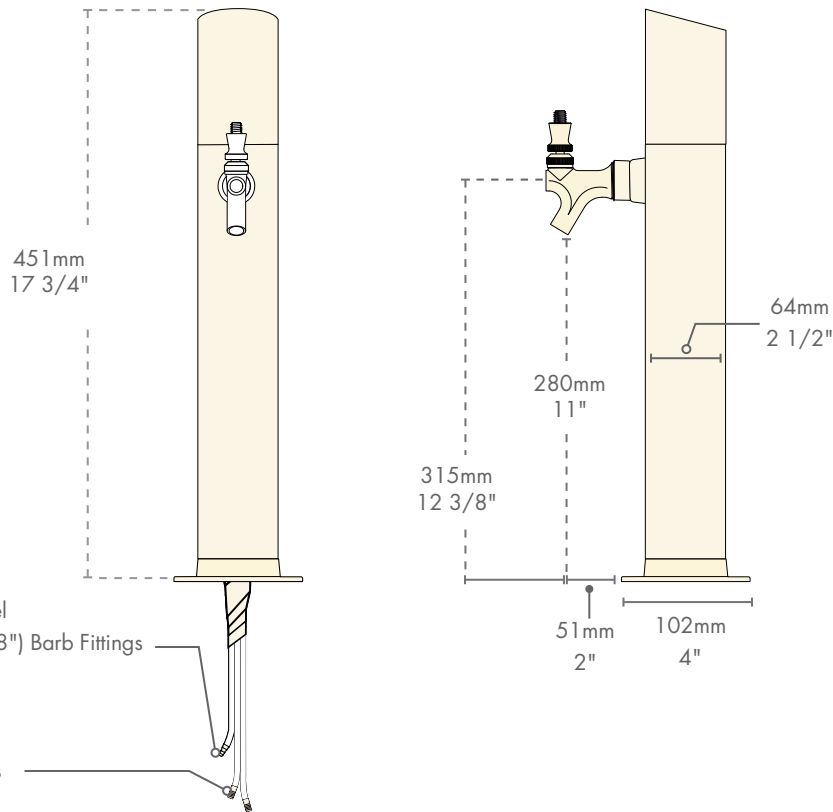
Specifications

Micro Matic reserves the right to change specifications without notice.

AUTOQUOTES

Part No.	Faucets	Finish	Dispense System	Shipping Weight	Box Dimensions
☐ SKY-1PVDKR	1	PVD Brass	Kool-Rite (Glycol)	6kg	1168mm L x 254mm W x 635mm H
				12lbs	46"L x 10"W x 25"H
☐ SKY-1PSSKR	1	Polished S/S	Kool-Rite (Glycol)	6kg	1168mm L x 254mm W x 635mm H
				12lbs	46"L x 10"W x 25"H

Dimensions

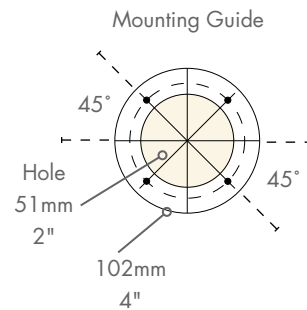
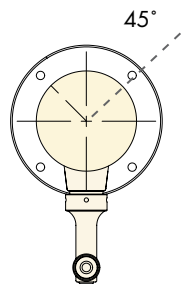


BEER:

6mm (1/4") O.D. Stainless Steel with 8mm - 9.5mm (5/16" - 3/8") Barb Fittings

GLYCOL:

9.5mm (3/8") O.D. Copper with 9.5mm (3/8") Barb Fittings



Copyright ©2011 Micro Matic USA, Inc. All Rights Reserved. 001088-D0811



www.micromatic.com

Toll Free: 1-(866) 327-4159

West	Central	Southeast	Northeast
19791 Bahama Street Northridge, CA 91324 Tel. (818) 701-9765 Fax. (818) 701-9844	10726 North Second Street Machesney Park, IL 61115 Tel. (815) 968-7557 Fax. (815) 968-0363	2364 Simon Court Brooksville, FL 34604 Tel. (352) 799-6331 Fax. (352) 796-2429	4601 Saucon Creek Road Center Valley, PA 18034 Tel. (610) 625-4464 Fax. (610) 625-4466