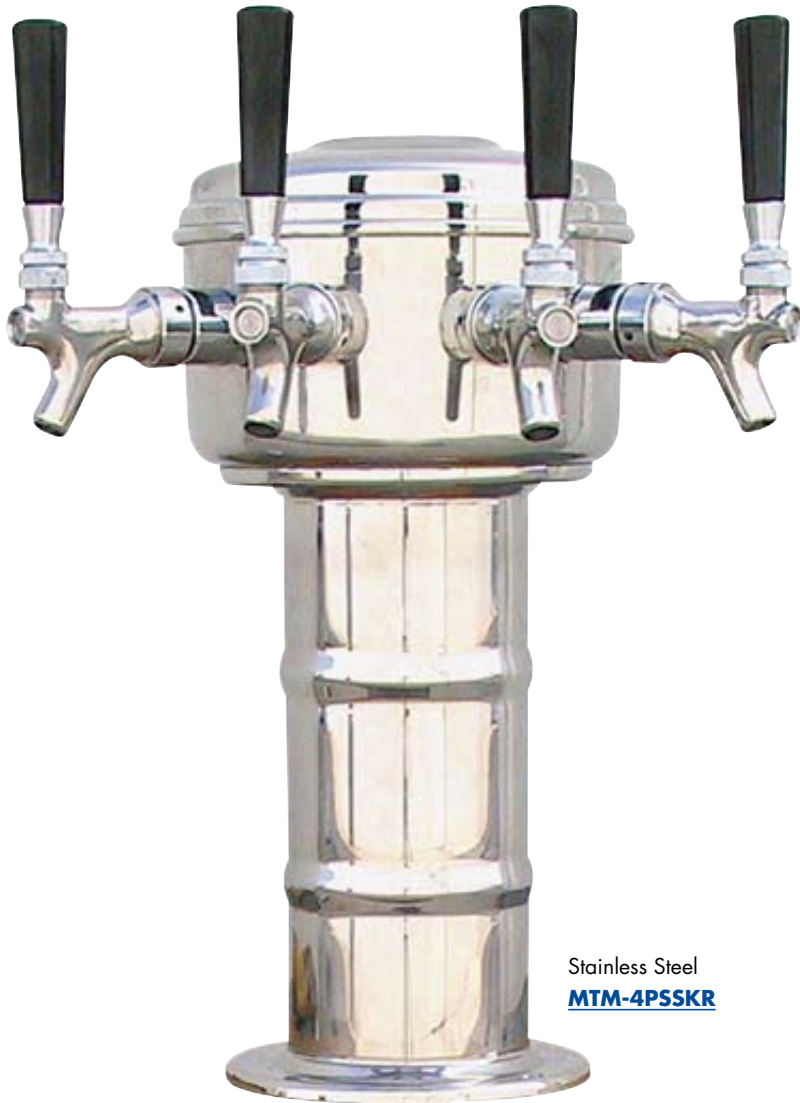


- Mini Mushroom draft towers feature a distinctive beading on the column.
- The draft tower is a marketing tool, not just a bar fixture.
- Compact design is easily accommodated on most bar tops.
- All stainless steel contact with the beer for the ultimate in draft purity.




Stainless Steel  
**MTM-4PSSKR**





Brass  
**MTM-4BRKR**

Faucet knobs not included.

## Features

 Certified by the National Sanitation Foundation.

 Stainless Steel beer contact for the pure taste of fresh draft beer.

 The integrated Kool-Rite module provides optimum cooling at the point of dispense. Modular construction makes the installation process as simple as PLUG "N" POUR.

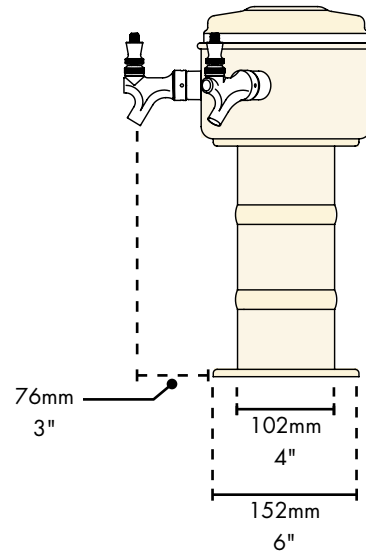
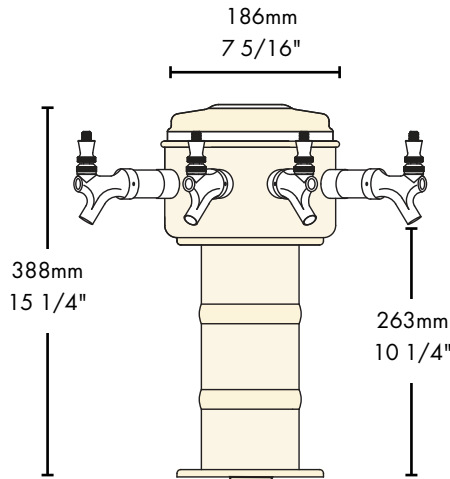
# Specifications

Micro Matic reserves the right to change specifications without notice.

Part No.	Faucets	Finish	Dispense System	Shipping Weight	Box Dimensions
<input type="checkbox"/> <a href="#">MTM-4PSSKR*</a>	4	Polished S/S	Kool-Rite (Glycol)	10 kg 23 lbs	1245mm L x 610mm W x 356mm H 49"L x 24"W x 14"L
<input type="checkbox"/> <a href="#">MTM-4BRKR*</a>	4	Brass	Kool-Rite (Glycol)	10 kg 23 lbs	1245mm L x 610mm W x 356mm H 49"L x 24"W x 14"L

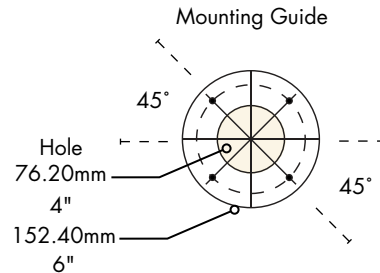
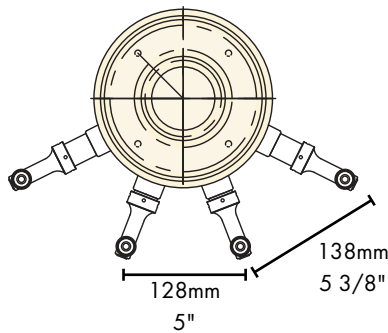
NSF Certified

# Dimensions



**BEER:** 1/4" O.D. Stainless Steel with 5/16" - 3/8" Barb Fittings

**GLYCOL:** 3/8" O.D. Copper with 3/8" Barb Fittings



Copyright ©2007 Micro Matic USA, Inc. All Rights Reserved. 00171-D0507 11-07



[www.micromatic.com](http://www.micromatic.com)

Toll Free: 1-(866) 327-4159

West	Central	Southeast	Northeast
19791 Bahama Street Northridge, CA 91324 Tel. (818) 701-9765 Fax. (818) 701-9844	10726 North Second Street Machesney Park, IL 61115 Tel. (815) 968-7557 Fax. (815) 968-0363	16121 Flight Path Drive Brooksville, FL 34604 Tel. (352) 799-6331 Fax. (352) 796-2429	4601 Saucon Creek Road Center Valley, PA 18034 Tel. (610) 625-4464 Fax. (610) 625-4466