

- Designed by beer-industry experts for performance and value.
- Integrated glass rinser: condition the glass with cold water before pouring.
- Rugged keg slides – extends floor life.
- Full-size drain tray – larger work area and improved hygiene.



Black  
**MDD58**



▶ Integrated cold water glass rinser.



Stainless Steel  
**MDD58S**

### Feature



Listed by Edison  
Testing Laboratories.  
Conforms to UL & NSF Standards.

# Specifications

Micro Matic reserves the right to change specifications without notice.

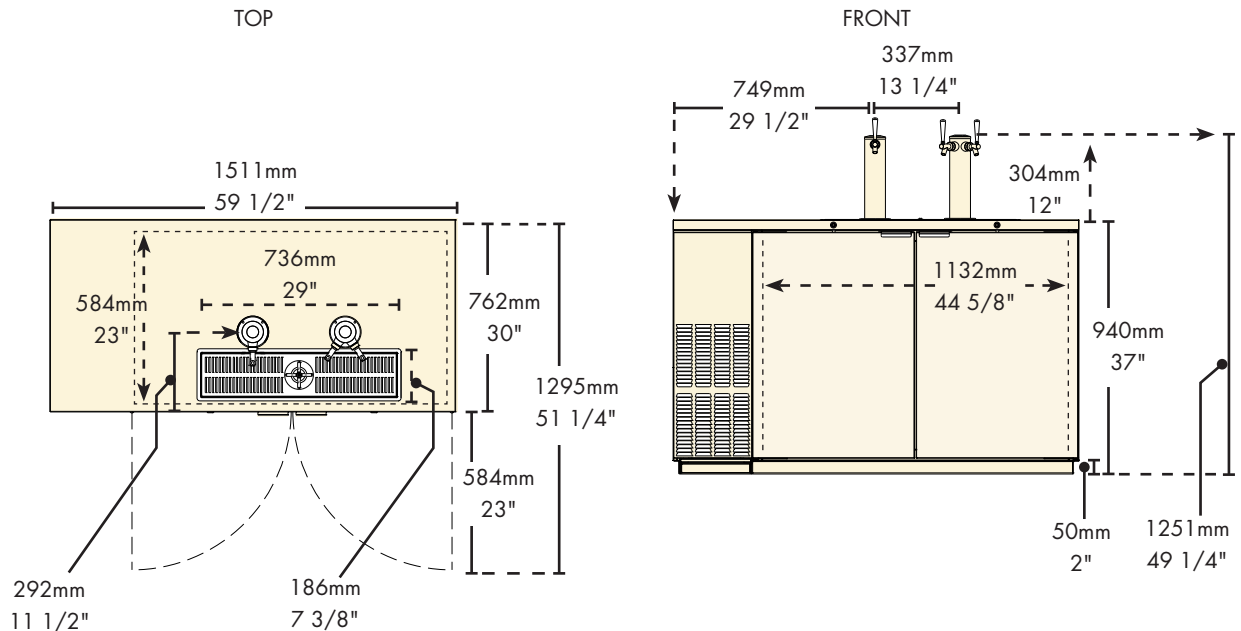
Part No.	Exterior Finish	Doors	Shipping Weight	Box Dimensions
☐ <a href="#">MDD58</a>	Black With Solid Doors	2	156 kg	1537mm L x 762mm W x 1143mm H
			343 lbs	60 1/2"L x 30"W x 45"H
☐ <a href="#">MDD58S</a>	Stainless Steel With Solid Doors	2	156 kg	1537mm L x 762mm W x 1143mm H
			343 lbs	60 1/2"L x 30"W x 45"H

# Operating Performance

<b>Keq Capacity</b>	2 1/2 Kegs & 1 1/4 Slim	<b>Running Amps</b>	6.5
<b>Cubic Feet (liters)</b>	23.7 (670)	<b>Voltage</b>	115/60/1
<b>Draft Towers</b>	2	<b>Plug Type</b>	NEMA-5-15P
<b>Faucets</b>	3	<b>Cord Length</b>	8'
<b>Beer Tower Approval</b>	NSF 7.0 & NSF 18	<b>Refrigerant</b>	R-134a
<b>Approval</b>	ETL Listed	<b>Charge oz (Grs)</b>	10.5 (300)
<b>Condenser HP</b>	1/3		

<b>Exterior</b>	All Models: 18 gauge stainless steel top, 22 gauge solid doors, 24 gauge steel front, sides and back. Black Models: Front, sides, back and doors black vinyl over steel. Stainless Steel Models: Front, sides, back & doors are stainless steel.
<b>Interior</b>	20 gauge stainless steel floor, rugged false floor, reinforced frame, 24 gauge galvanized walls
<b>Ventilation</b>	Front and back ventilated
<b>Plumbing</b>	Automatic condensate evaporator, no drain connection required. Evaporator condensate has been plumbed to a condensate pan located in the compressor housing.
<b>Glass Rinser</b>	15 – 20 PSI Water Connection
<b>Insulation</b>	Foamed-in-place using high density, CFC-free polyurethane; 1-1/2" top, walls and floor.
<b>Accessories</b>	Castors or 6" Fixed Legs

# Dimensions



Copyright ©2012 Micro Matic USA, Inc. All Rights Reserved.

00464D0513