





- Maximize bar top space with convenient wall mounting.
- All-in-one design: draft tower and drip tray.
- Exterior finish will provide years of durable service.
- All stainless steel contact with the beer for the ultimate in draft purity.




Brushed Stainless Steel
KRONOS-12SSKR

Faucet knobs not included.

 Certified by the National Sanitation Foundation.

 Stainless Steel beer contact for the pure taste of fresh draft beer.

 The integrated Kool-Rite module provides optimum cooling at the point of dispense. The module construction makes the installation process as simple as PLUG "N" POUR.

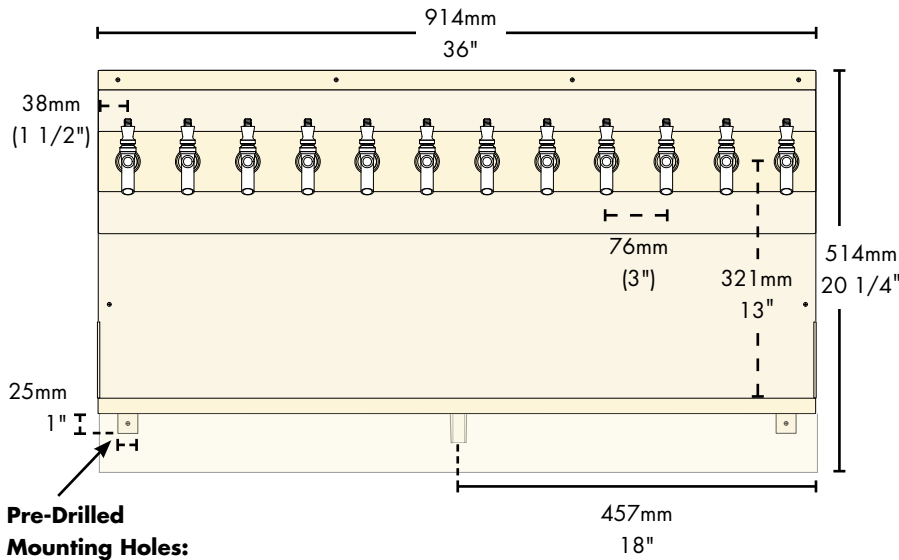
Specifications

Micro Matic reserves the right to change specifications without notice. **AUTOQUOTES**

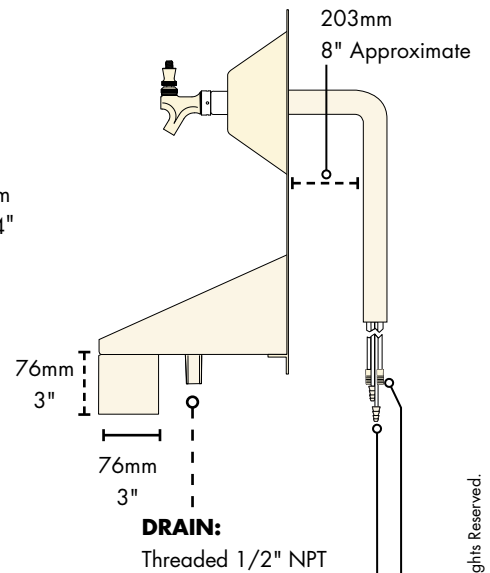
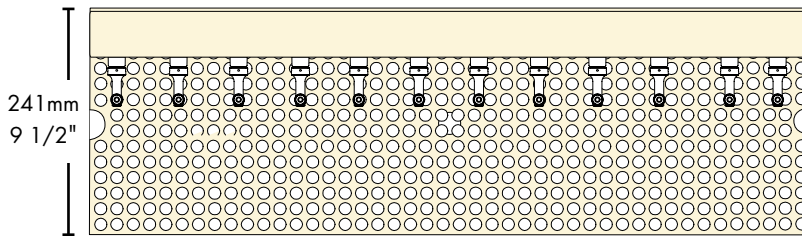
Part No.	Faucets	Finish	Dispense System	Shipping Weight	Box Dimensions
<input type="checkbox"/> KRONOS-12SSKR*	12	Brushed Stainless Steel	Kool-Rite (Glycol)	31 kg 67 lbs	1169mm L x 940mm H x 661mm H 46" L x 37" W x 26" H

*  Certified

Dimensions



Pre-Drilled Mounting Holes:
4.76mm (3/16")



- GLYCOL:**
9.52mm (3/8") O.D. Copper
with 9.52mm (3/8") Barb Fittings
- BEER:**
6.4mm (1/4") O.D. Stainless Steel
with 7.94mm - 9.52mm (5/16" - 3/8") Barb Fittings

Copyright ©2011 Micro Matic USA, Inc. All Rights Reserved.

00834D0811



www.micromatic.com

Toll Free: 1-(866) 327-4159

West	Central	Southeast	Northeast
19791 Bahama Street Northridge, CA 91324 Tel. (818) 701-9765 Fax. (818) 701-9844	10726 North Second Street Machesney Park, IL 61115 Tel. (815) 968-7557 Fax. (815) 968-0363	2364 Simon Court Brooksville, FL 34604 Tel. (352) 799-6331 Fax. (352) 796-2429	4601 Saucon Creek Road Center Valley, PA 18034 Tel. (610) 625-4464 Fax. (610) 625-4466