



# DIRECT DRAW DISPENSER

PRO-LINE™ E-SERIES™ 95" - 5 KEG

- Designed by beer-industry experts for performance and value
- Front breathing for cooling and exhaust
- Integrated glass rinser: condition the glass before pouring
- Full-size drain tray – larger work area and improved hygiene



**MDD94-E**  
Black



> Integrated water glass rinser



*Adjustable Digital Thermostat!*  
*Easy to read exterior mounted*



**MDD94S-E**  
Stainless Steel



Listed by Edison Testing Laboratories.  
Conforms to UL & NSF Standards.



[www.micromatic.com](http://www.micromatic.com) • 1 (866) 327-4159

PRO-LINE™ E-SERIES™ 95" - 5 KEG

Job Number: \_\_\_\_\_ Location: \_\_\_\_\_

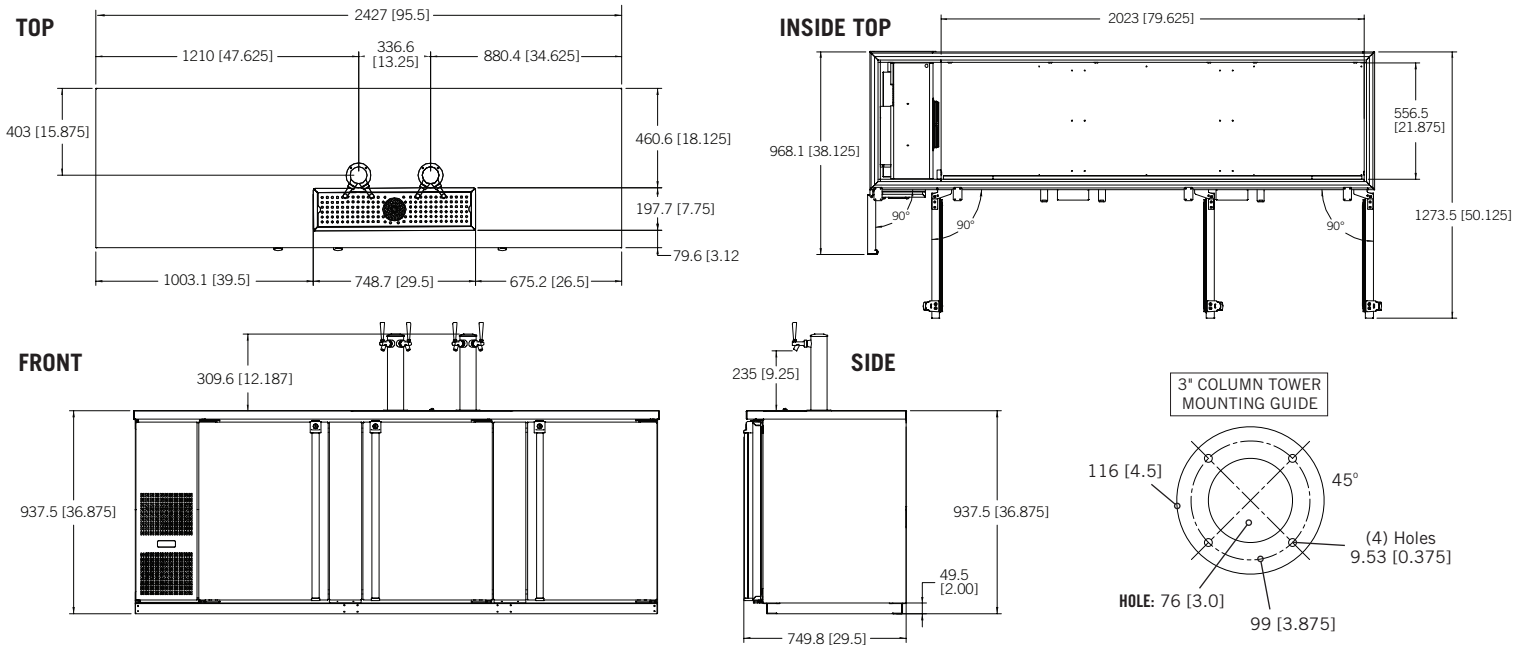
Part No.	Finish	Doors	Shipping Weight
☐ MDD94-E	Black with Solid Doors	3	184 kg
			406 lb
☐ MDD94S-E	Stainless Steel with Solid Doors	3	184 kg
			406 lb

**Operating Performance**

<b>Keg Capacity of 1/2 Kegs</b>	5	<b>Running Amps</b>	6.5
<b>Cubic Feet (liters)</b>	39.2 (1112)	<b>Voltage</b>	115/60/1
<b>Draft Towers</b>	2	<b>Plug Type</b>	NEMA-5-15P
<b>Faucets</b>	4	<b>Cord Length</b>	8'
<b>Beer Tower Approval</b>	NSF 7.0 & NSF 18	<b>Refrigerant</b>	R-134a
<b>Approval</b>	ETL Listed, Energy Star	<b>Charge oz (grs)</b>	9.8
<b>Condenser HP</b>	1/3		

<b>Exterior</b>	All Models: 18 gauge 201 grade stainless steel (s/s) top, 22 gauge solid doors, 24 gauge steel front, sides and back. Black Models: Front, sides, back and doors black vinyl over steel. S/S Models: Front, sides, back and doors are s/s.
<b>Interior</b>	20 gauge stainless steel floor and walls, rugged false floor, reinforced frame
<b>Ventilation</b>	Front breathing for cooling and exhaust
<b>Plumbing</b>	Automatic condensate evaporator, no drain connection required. Evaporator condensate has been plumbed to a condensate pan located in the compressor housing
<b>Glass Rinser</b>	15-20 PSI water connection
<b>Insulation</b>	Foamed-in-place using high density, CFC-free polyurethane; 2" top, walls and floor
<b>Accessories</b>	Castors or 6" fixed legs

**Dimensions**



 **MICRO MATIC**  
 Toll-Free: 1-866-327-4159  
[www.micromatic.com](http://www.micromatic.com)

**West**  
 19791 Bahama St.  
 Northridge, CA 91324  
 Tel. (818) 701-9765  
 Fax. (818) 701-9844

**Central**  
 10726 North Second St.  
 Machesney Park, IL 61115  
 Tel. (815) 968-7557  
 Fax. (815) 968-0363

**Southeast**  
 2386 Simon Ct.  
 Brooksville, FL 34604  
 Tel. (352) 799-6331  
 Fax. (352) 796-2429

**Northeast**  
 4601 Saucon Creek Rd.  
 Center Valley, PA 18034  
 Tel. (610) 625-4464  
 Fax. (610) 625-4466