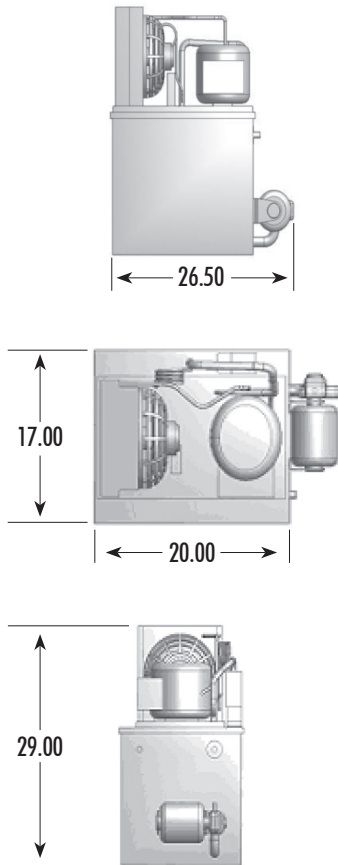


Cooling system for draft beer and wine. Deliver cold beer for up to 125' from cooler.



CWA-3

Specifications - 1/3 HP

Voltage AC	120v
Power Requirement	20 Amp. Duplex / within 36" of placement
Running	7.1 Amp. / 6.5 Amp.
Refrigerant	R-404a
Charge (see label on unit)	20 oz.
Tank Capacity	12 gallon
Foam Insulation	1"
Weight	106 lbs
Pump (Gravity Fed)	80 GPH
Dimensions (inches)*	17" W x 29" H x 26.5" D