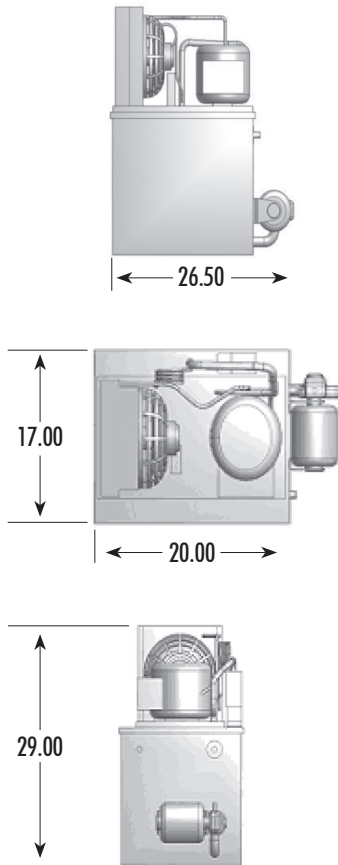
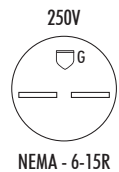


Cooling system for draft beer and wine. Deliver cold beer for up to 350' from cooler.



CWA-3/4



Specifications - 3/4 HP

Voltage AC	208 / 220v + 110 / 12v
Power Requirement	220v 6-15R Outlet + 15 Amp Duplex / within 36" of placement
Running	5.5 Amp / 6.5 Amp
Refrigerant	R-22
Charge	36 oz
Tank Capacity	12 gallon
Foam Insulation	1"
Weight	134 lbs
Pump (Gravity Fed)	80 GPH
Dimensions (inches)*	17" W x 29" H x 26.5" D