



- FOB (Foam On Beer) Detector is essential for all long draw beer lines.
- Eliminate foam and wasted beer when a keg is emptied.
- Replace the keg, reset the FOB, and beer is flowing again.
- Stainless steel contact with the beer for the ultimate in draft purity.



**FD-1**

## Feature

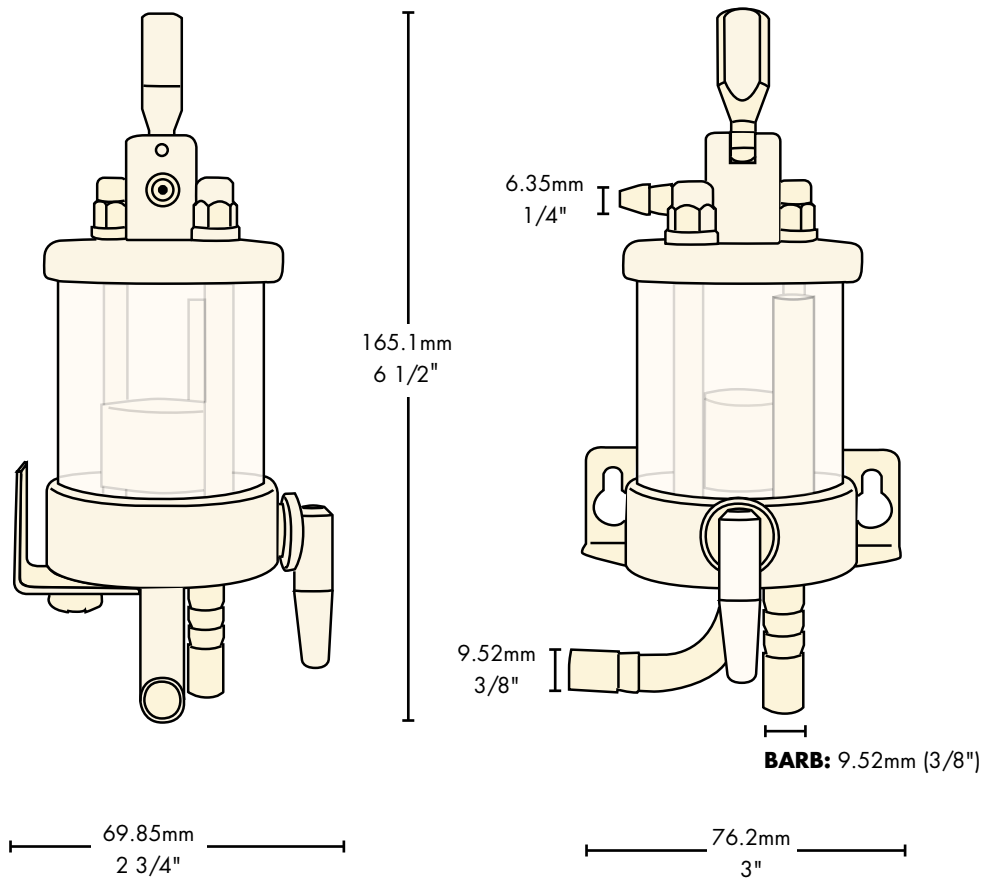
- S** Stainless Steel for improved hygiene and durability.

# Specifications

Micro Matic reserves the right to change specifications without notice.

Part No.	Description	Shipping Weight	Box Dimensions
<input type="checkbox"/> <a href="#">FD-1</a>	Stainless Steel	2 kg	356mm L x 203mm W x 102mm H
		3 lbs	14"L x 8"W x 4"H

# Dimensions



Copyright ©2007 Micro Matic USA, Inc. All Rights Reserved.

00113.D1106 12.07