

- FOB (Foam On Beer) Detector is essential for all long draw beer lines.
  - Eliminate foam and wasted beer when a keg is emptied.
  - Replace the keg, reset the FOB, and beer is flowing again.
  - Value leader, wall mount installation.
- 

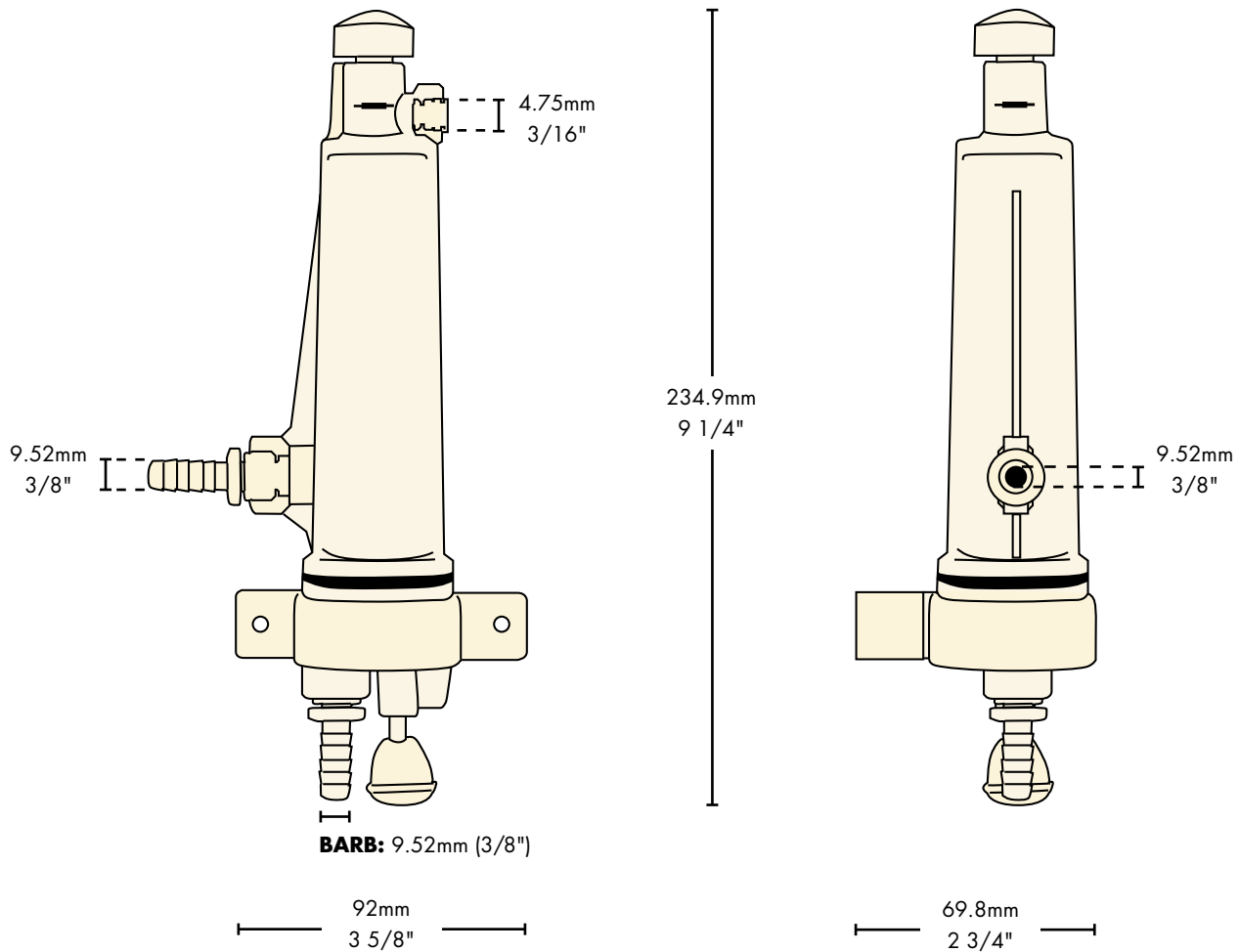


# Specifications

Micro Matic reserves the right to change specifications without notice.

Part No.	Description	Shipping Weight	Box Dimensions
<input type="checkbox"/> <b>DFC100</b>	Plastic	.5 kg	356mm L x 203mm W x 102mm H
		1 lbs	14"L x 8"W x 4"H

# Dimensions



Copyright ©2007 Micro Matic USA, Inc. All Rights Reserved.

00169D0507 12-07

