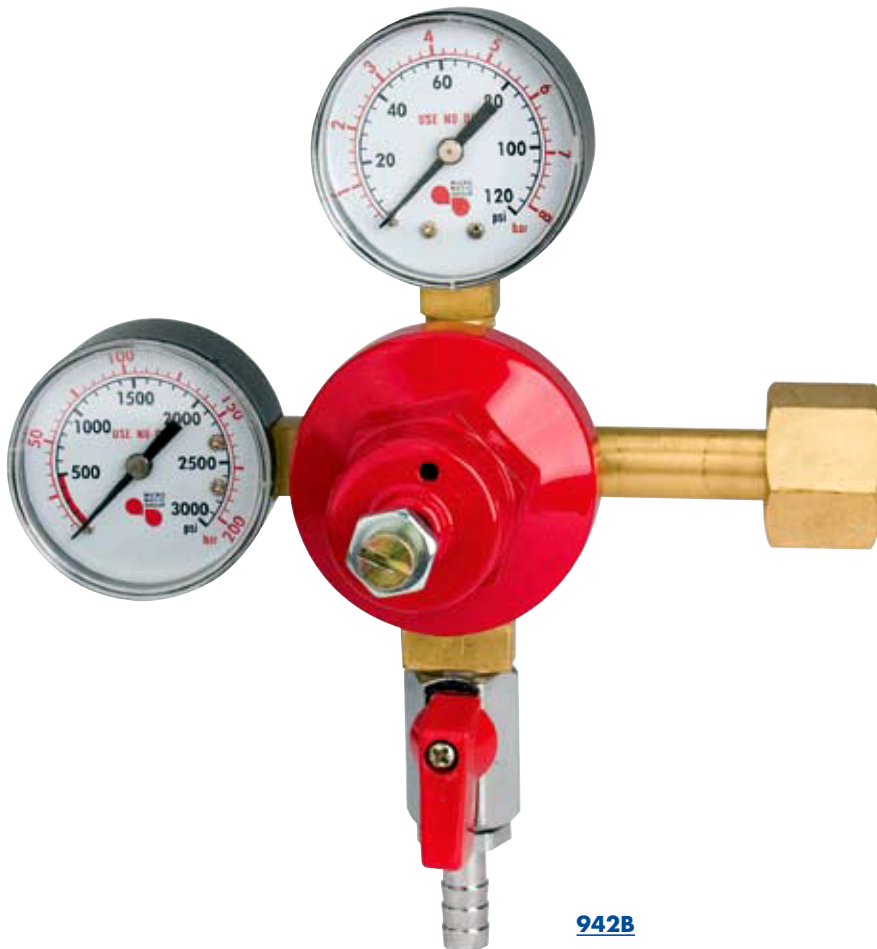


- Use with on-site gas blenders for best performance.
- Regulates output pressure up to 110 psig.
- Forged brass and die cast for durability, flow control inlet nipple filter.
- Built-in safety, pressure relief valve (PRV) releases at 115-125 PSI.



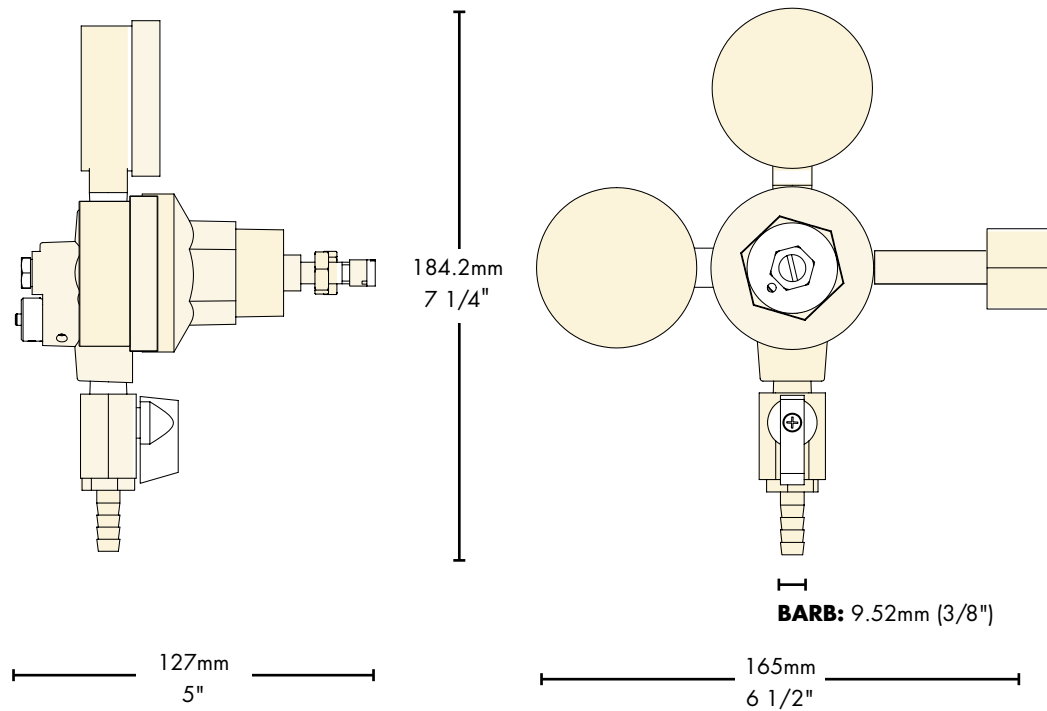
942B

Specifications

Micro Matic reserves the right to change specifications without notice.

Part No.	Description	Shipping Weight	Box Dimensions
<input type="checkbox"/> 942B	High Pressure CO2 Regulator	1 kg	305mm L x 254mm W x 153mm H
		3 lbs	12"L x 10"W x 6"H

Dimensions



Copyright ©2007 Micro Matic USA, Inc. All Rights Reserved.

00162.D0507 11-07