



- Engineered by beer-industry experts for performance and value.
- Digital thermostat for accurate glycol bath temperature.
- Insulated cabinet maintains glycol temperature while minimizing condensation.
- Exterior sight glass to verify glycol bath level.



MMPP4305-PKG-3



Feature

 ETL Listed.

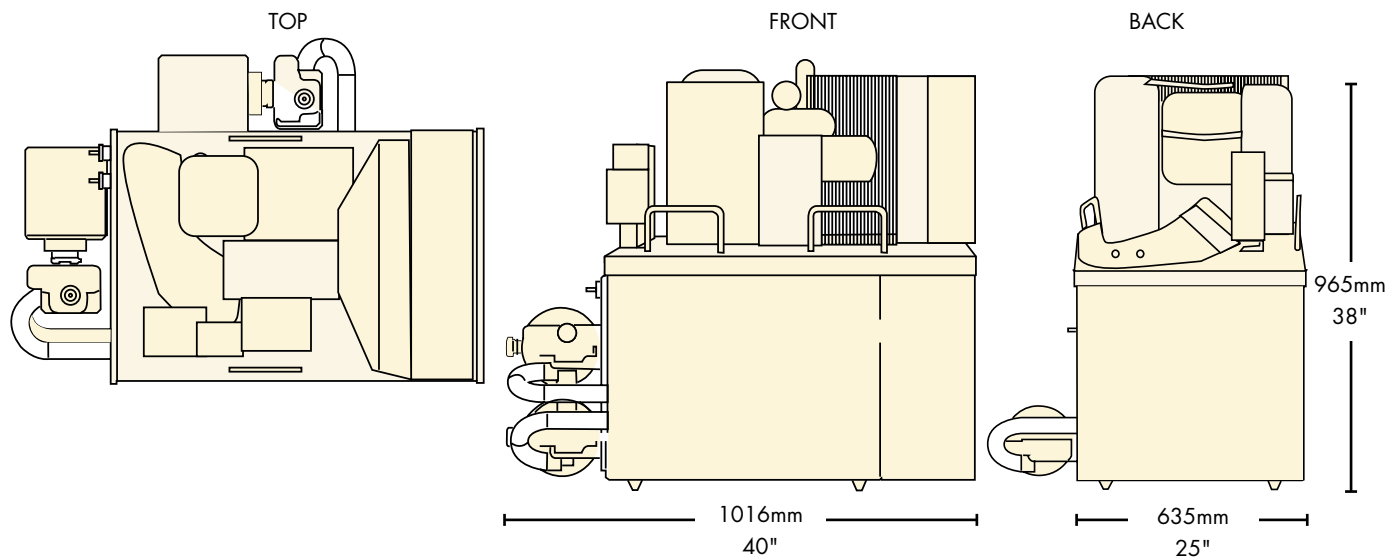
Specifications

Micro Matic reserves the right to change specifications without notice. **AUTOQUOTES**

Part No.	Description	Shipping Weight	Box Dimensions
<input type="checkbox"/> MMPP4305-PKG-3	Air Cooled	131 kg	1016mm L x 635mm W x 1041mm H
		290 lbs.	40"L x 25"W x 41"H

Compressor	1 HP
BTU per hour	7,200
Plug Type (NEMA #)	6-15P
Voltage	208/230
Running	11A
Refrigerant	R-134a
Charge	.45 kg (20 oz)
Bath Capacity	43.5 litre (11.5 Gallons)
Pump Type	Gear
Inlet Barb:	9.52mm (3/8")
Outlet Barb:	9.52mm (3/8")

Dimensions



Copyright ©2011 Micro Matic USA, Inc. All Rights Reserved. 01131-D1211



www.micromatic.com

Toll Free: 1-(866) 327-4159

West	Central	Southeast	Northeast
19791 Bahama Street Northridge, CA 91324 Tel. (818) 701-9765 Fax. (818) 701-9844	10726 North Second Street Machesney Park, IL 61115 Tel. (815) 968-7557 Fax. (815) 968-0363	2364 Simon Court Brooksville, FL 34604 Tel. (352) 799-6331 Fax. (352) 796-2429	4601 Saucon Creek Road Center Valley, PA 18034 Tel. (610) 625-4464 Fax. (610) 625-4466