

- Engineered by beer-industry experts for performance and value.
- Digital thermostat for accurate glycol bath temperature.
- Insulated cabinet maintains glycol temperature while minimizing condensation.
- Exterior sight glass to verify glycol bath level.



**MMPP4302-PKG-WC**

**MMPP4302-PKG**



## Feature



ETL Listed.

# Specifications

Micro Matic reserves the right to change specifications without notice.

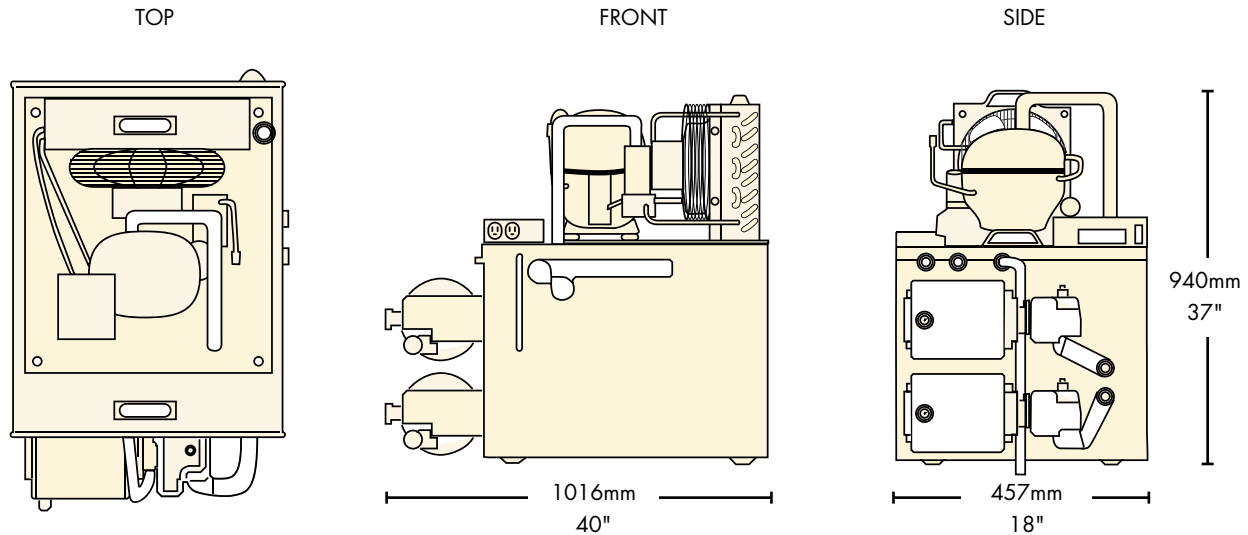
Part No.	Description	Shipping Weight	Box Dimensions
<input type="checkbox"/> <b>MMPP4302-PKG</b>	Air Cooled	80 kg 175 lbs.	1016mm L x 610mm W x 1016mm H 40"L x 24"W x 40"H
<input type="checkbox"/> <b>MMPP4302-PKG-WC</b>	Water Cooled	80 kg 175 lbs.	1016mm L x 610mm W x 1016mm H 40"L x 24"W x 40"H

# Operating Performance

<b>Compressor</b>	1/2 HP
<b>BTU per hour</b>	3,400
<b>Plug Type (NEMA #)</b>	L5-30P
<b>Voltage</b>	115
<b>Running</b>	21.5A
<b>Refrigerant</b>	R-134a
<b>Charge</b>	.45 kg (16 oz)
<b>Bath Capacity</b>	43.5 litre (11.5 Gallons)
<b>Pump Type</b>	Gear
<b>Inlet Barb:</b>	9.52mm (3/8")
<b>Outlet Barb:</b>	9.52mm (3/8")

Water Cooled Model	
<b>Water Inlet &amp; Outlet Fitting</b>	Female 3/8" NPT
<b>Minimum Water Pipe Size</b>	3/8"
<b>Inlet Water Pressure</b>	Less than 80 PSIG
<b>Water Usage</b>	.3 GPM Water is only used when the temperature of the condenser rises high enough to open the cooling inlet valve. This is approximately 40% of the operating time depending on ambient temperature and usage.
<b>Condenser Inlet Water Temperature</b>	75° F
<b>Maximum Outlet Water Temperature</b>	95° F (to minimize water scaling within the condenser).

# Dimensions



Copyright ©2010 Micro Matic USA, Inc. All Rights Reserved.

00137.D0210

